

Intara CX

Article number: 51400003

LIGHT TECHNOLOGY

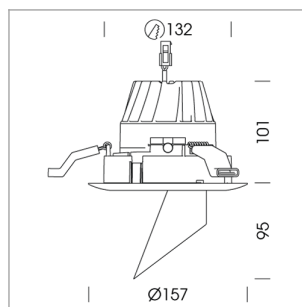
LED	COB
Light colour	840
Luminous flux	2680 lm
System power	23 W
Luminaire Efficiency	117 lm/W
Reflector	WallWash
Controller	On/Off

LUMINAIRE

Rotation angle	350°
Swivel angle	+/- 15°
Weight	0.80 kg
Protection rating . class	IP20 . III
Luminaire colour	black

OPTIONAL

Front ring and trim in accordance with RAL / NCS, white trim, exchangeable reflector, fire protection cover (up to 34 W), ceiling reinforcing profile for modular ceiling, reduction ring



Recessed wallwasher with LED, rated life of the LED L80/B10 > 50000 h, colour rendering index CRI > 80, chromaticity tolerance 2 SDCM (initial), reflector with asymmetrical light distribution pattern, primary reflector and kick reflector 99% pure aluminium in MIRO-Silver®, attachment with kick reflector for light cone projection, exchangeable reflector unit in high-sheen black plastic, with glass cover, luminaire head designed as heat sink die-cast aluminium, black anodized, rotation angle 350°, swivel angle +/- 15°; assembly ring die-cast aluminum, front ring and trim in plastic, plastic clamp spring for ceiling attachment, black, separate driver unit

Note: All data are typical values. System features may change with product improvements due to technical advances. Errors excepted.

